

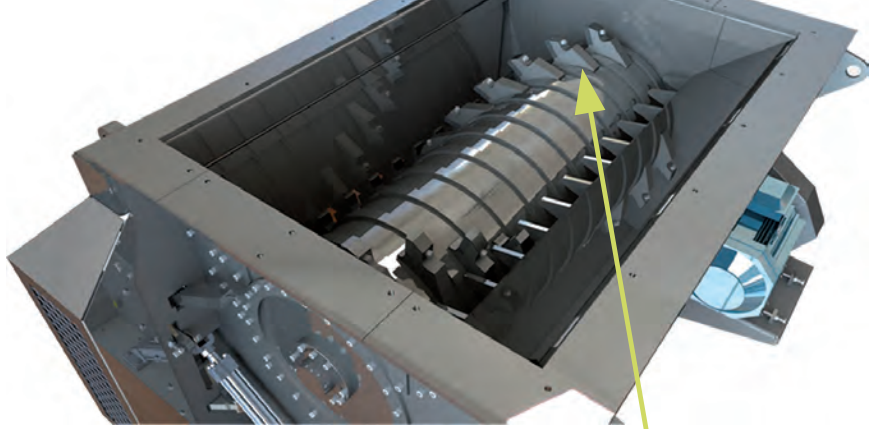


The best Waste
Recovery Solutions

Bag Opener



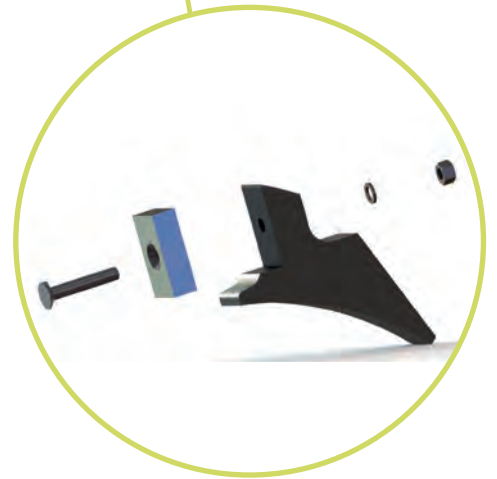
Bag Opener



To ensure efficiency in stages of selection and classification of waste treatment plants, waste must be out of the bags containing them.

The single-shaft bag opener developed, commercialized and manufactured by SPR is a machine specifically designed to open and empty bags of all sizes; i.e. waste bags which reach both urban waste treatment plants and plastic container plants for selection and classification.

The main features of this shredder type bag opener are simplicity, efficiency, consumption minimization and low maintenance costs. The machine is able to open even the smallest bags without being "aggressive" with the material.



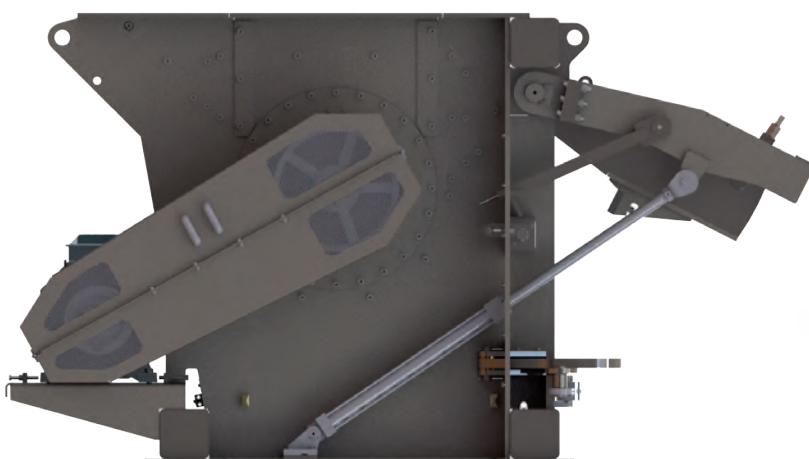
Operating principles

The material falls onto a rotor which incorporates helically positioned interchangeable knives.

The shaft rotation is slow (with possibility of regulation from 4 to 10 r.p.m) and leads the material to static counter knives installed on a gate. This counter-knives gate of the machine can be easily adjusted via an hydraulic pack for maintenance.

The distance between the interchangeable knives and the counter-knives gate is adjustable in 5 positions (from 0 to 200 mm), in order to adapt to the different kind of wastes that will be treated. The interchangeable knives of the rotor and the static counter knives are made with an extremely wear-resistant layer.

The interchangeable knives are positioned on the shaft in a way that the rotation of the rotor at low speed opens all bags. After opening, the material falls to the bottom of the machine above a feed belt conveyor which transports the material to the next treatment.



Main advantages

- Adjustable Camera.
- Certified Efficiency of 98% of opened bags.
- Maximum throughput up to 40 t / h.
- Low maintenance costs and easy implementation.
- Adaptable settings of the machine: right or left motor position and/or work in inclination.
- Automatic cleaning cycle/anti blockage.
- The low rotor speed increases durability.
- Planetary reduction inside the rotor: protected against dirt and leachate.
- Remote control and maintenance by modem 3G.
- Robust bedplate: vibration measures or sound reduction are not necessary.



Models

	AB 1400	AB 2200	AB 3000	AB PLUS *
Rotor Length	1.400 mm	2.200 mm	3.000 mm	2.200 mm
Rotor Diameter	800 mm	800 mm	800 mm	800 mm
Power (kW)	22 - 37 or 55	22 - 37 - 55 or 75	2x55 or 2x75	22 - 37 or 55
Rotor Speed	4 - 10 rpm	4 - 30 rpm	15 - 30 rpm	4 - 10 rpm
Gearbox Type	1 planetary	1 planetary	2 planetaries	1 planetary

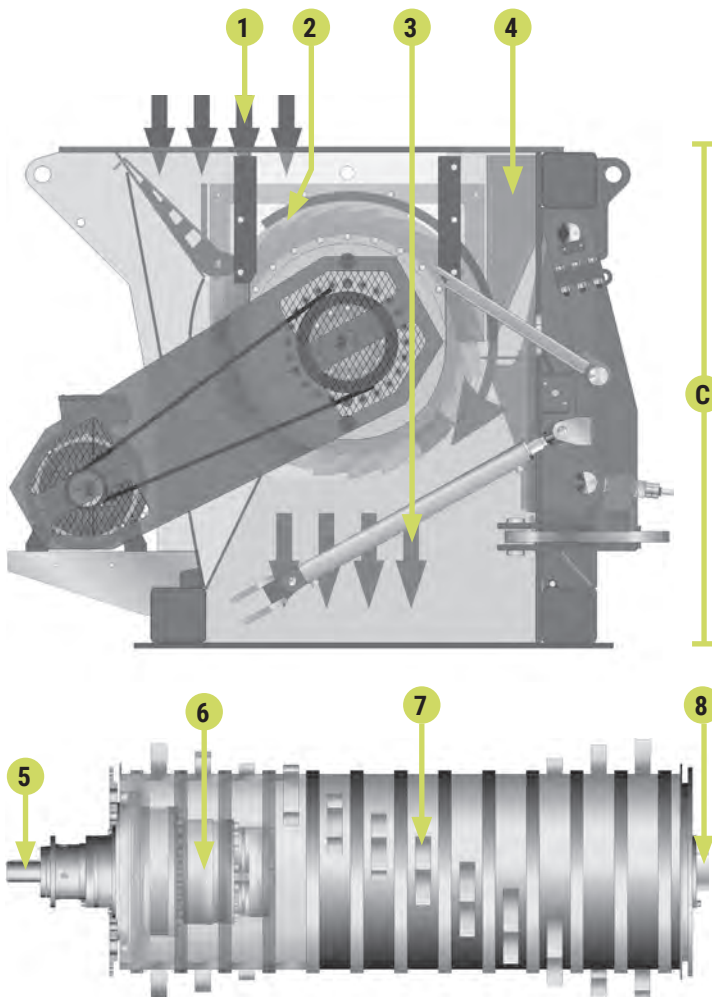


*Configuration as bale opener

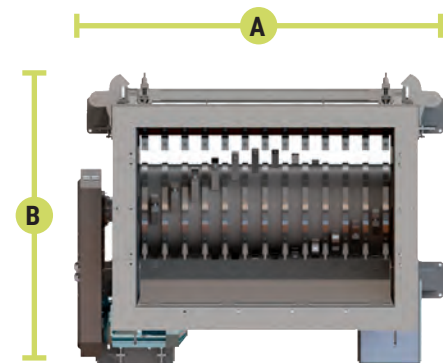
General dimensions

Model	Width "A"	Length "B"	Height "C" *
AB 1400	2450	2514	1810
AB 2200	3169	2514	1810
AB 3000	4138	2514	1810
AB PLUS	3169	2710	1810

* Height without hopper



- | | |
|----------------------------------|--------------------------|
| 1 Material input | 5 Gearbox shaft |
| 2 Rotor with knives | 6 Planetary gearbox |
| 3 Material output | 7 Interchangeable knives |
| 4 Counter-knives adjustment door | 8 End shaft |



Headquarters

Avda. dels Aurons, 3. Edificio Cub 1,
3º D, Can Fatjó. Parque Empresarial
A7 Sant Cugat del Vallés.
08173 Barcelona (España)
T. +34 934 444 655

Assembly Service Center- Test Center

C/ Pino Albar, parcela 117, nave 4.
Pol. Ind. El Brizo
Aldeamayor de San Martín. 47162
Valladolid (España)
T. +34 983 549 825

South Area Branch Office

C/ Salar nº 13
Polígono Industrial
El Manzanil II
18300 Loja-Granada (Spain)
Ph. +34 620 161 155

Central America and Caribbean Branch Office

Calle 3 Sur # 38 Edificio 112.
Plaza Alejandría, Medellín
050001 Antioquia, Colombia
Ph. +57 313 738 3719



info@grupo-spr.com

YouTube /SPRSPAIN

www.grupo-spr.com