



The best Waste
Recovery Solutions

Pre-Crusher



Pre-Crusher

The Pre-Crusher is intended as a very versatile machine that allows the treatment of a wide variety of materials, from bulky materials, as slot machines, photocopiers, washing machines, etc., to very small materials such as modems, calculators, etc. All this thanks to its adjustable 5-position gate, which allows you to open or close automatically the passage between the knives of the rotor and the counter-knives of the gate.

In addition to its versatility, which allows adjusting in different positions the opening of the gate with counter-knives, the Pre-Crusher is a machine specifically designed to crush even the most robust waste. Its function within the line recovery, will be to make an initial shredding of the material allowing an easy separation of its internal components without being aggressive with recoverable fraction, dosing the material for its future treatment and recovery.

For companies that have multiple locations as transfer centers, this equipment offers the advantage of carrying the already separated fractions. This will allow them to increase the density of transport, thus saving costs. This is a solution that offers high profitability at a low investment cost.



Other applications

- RDF production
- Plastic valorization
- Bulky goods shrinking
- Packed material opening
- Production lines dosing





Operating principle

The material falls onto a rotor incorporating dull knives, since their function is not to cut, but to shred the material due to the pressure exerted by these knives against the knives that are located in the adjustable door.

Low speed performance of the rotor causes the rupture of the material by its weakest part (normally seals) which allows the recovery of printed circuit boards and other high-value materials intact.

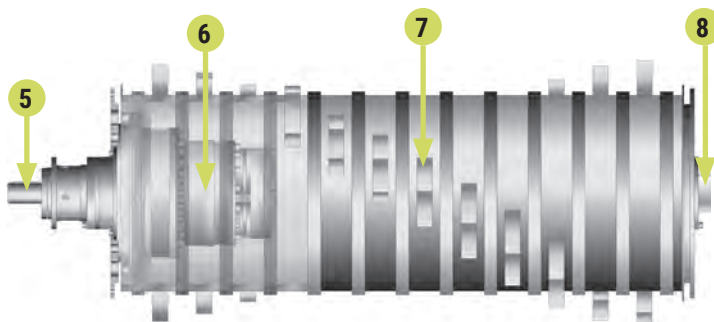
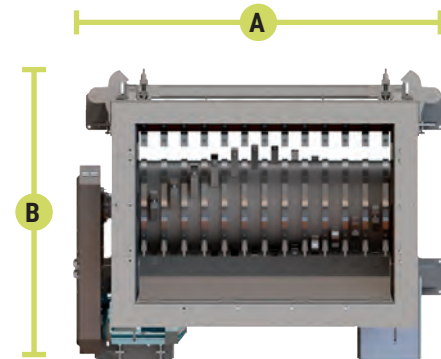
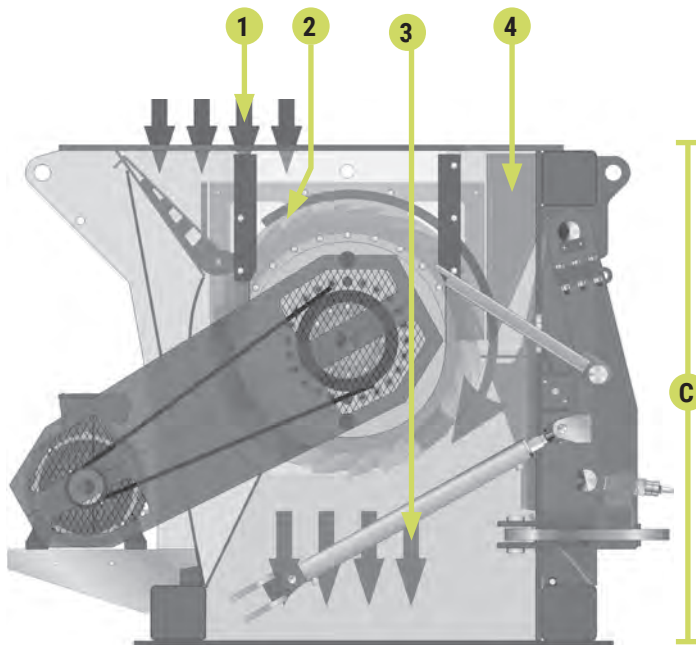
Main advantages

- Very robust equipment: wear-resistant coating.
- The low rotor speed increases its durability.
- Very low maintenance costs.
- Simple maintenance.
- Open the fractions until their separation without breaking the material.
- Shredding size adjustable.
- Variable rotor speed.
- Simple handling and operation.
- Low energy consumption.

General dimensions

Model	Width "A"	Length "B"	Height "C" *
PC 1400	2450	2514	1810
PC 2200	3169	2514	1810
PC 2200 -BI	3169	2514	1810

*Height without hopper



- 1 Material input
- 2 Rotor with knives
- 3 Material output
- 4 Counter-knives adjustment door
- 5 Gearbox shaft
- 6 Planetary gearbox
- 7 Interchangeable knives
- 8 End shaft

Model	Feeding chamber		Rotor diameter	Number of shafts	Number of knives		Drum speed	Installed power	Drive	Gear
	Length	Width			Rotor	Fixed				
PC 1400	1400 mm	1540 mm	800 mm	1 item	21	8	4-10 rpm	55kW or 75kW	4 or 6 V-belt	Planetary gearbox
PC 2200	2200 mm	1540 mm	800 mm	1 item	36	13	4-10 rpm	55kW or 75kW	4 or 6 V-belt	Planetary gearbox
PC 2200-BI	2200 mm	1540 mm	800 mm	1 item	36	13	4-30 rpm	2x55kW or 2x75kW	8 or 12 V-belt	Planetary gearbox

Headquarters

Avda. dels Aurons, 3. Edificio Cub 1,
3º D, Can Fatjó. Parque Empresarial
A7 Sant Cugat del Vallés.
08173 Barcelona (España)
T. +34 934 444 655

Assembly Service Center- Test Center

C/ Pino Albar, parcela 117, nave 4.
Pol. Ind. El Brizo
Aldeamayor de San Martín. 47162
Valladolid (España)
T. +34 983 549 825

South Area Branch Office

C/ Salar nº 13
Polígono Industrial
El Manzanil II
18300 Loja-Granada (Spain)
Ph. +34 620 161 155

Central America and Caribbean Branch Office

Calle 3 Sur # 38 Edificio 112.
Plaza Alejandría, Medellín
050001 Antioquia, Colombia
Ph. +57 313 738 3719



info@grupo-spr.com

YouTube [/SPRSPAIN](#)

www.grupo-spr.com